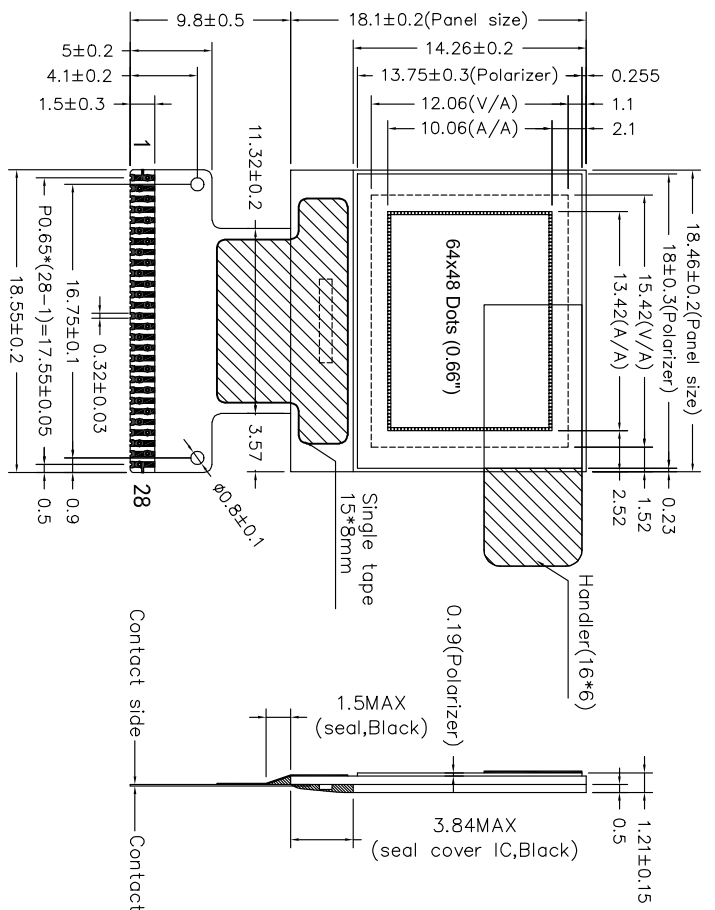
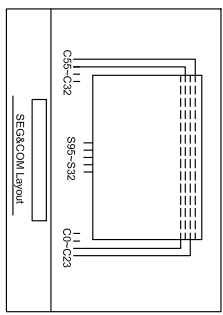
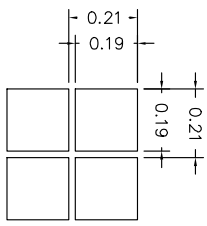
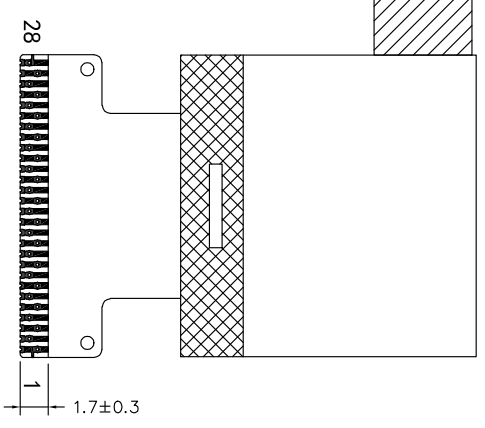
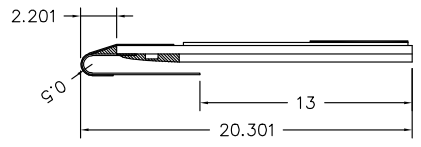


Customer approval :



Reference Only



PIN	SYMBOL
1	N.C.(GND)
2	C2P
3	C2N
4	C1P
5	C1N
6	VBAT
7	VSS
8	VDD
9	BS1
10	BS2
11	CS#
12	RES#
13	D/C#
14	R/W#
15	E/RD#
16	D0
17	D1
18	D2
19	D3
20	D4
21	D5
22	D6
23	D7
24	IREF
25	VCOMH
26	VCC
27	VSSS
28	NC(GND)

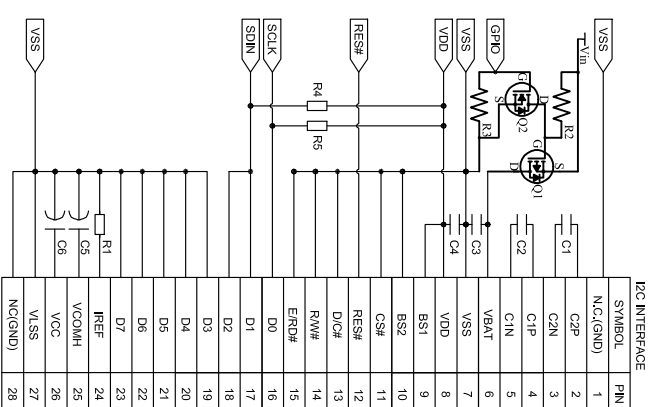
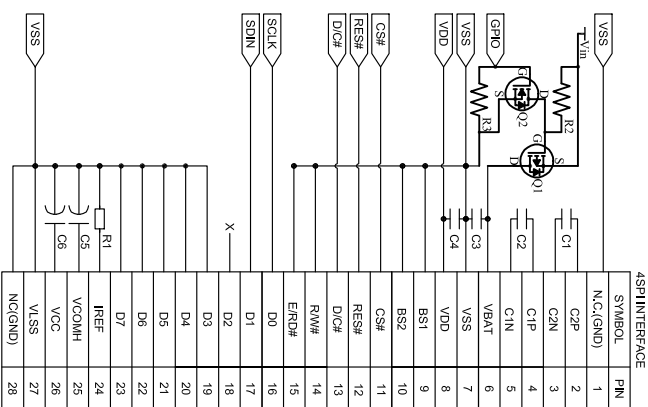
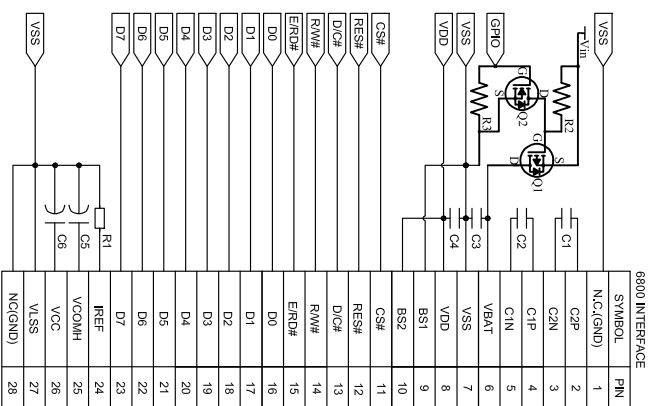
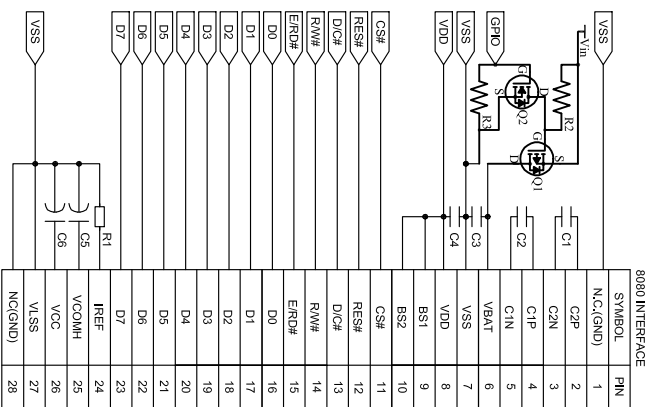
Specifications:

1. Display : OLED(White).
2. Dot Matrix: 64*48
3. Dot Size: 0.19*0.19mm
4. Dot Pitch: 0.21*0.21mm
5. Aperture Rate: 81.8%
6. Active Area : 13.42*10.06mm
7. Drive IC: SSD1306BZ

REV	REVISION RECORD	DATE	 深圳市三元晶科技有限公司 Shenzhen TCC LCD Hi-Tech Co., Ltd.			GENERAL TOL:
A	FIRST ISSUE	2017/08/08	MODEL NO.	SY06448A00-3C135WN2-WCE	未注公差	±0.3
B			模组型号		PAGE:	1 OF 2
C			APPROVED BY	审核	CHECKED BY	检查
D			Liu	2017/08/08	Francis	2017/08/08
			Luoxian	2017/08/08	Luoxian	2017/08/08
					PROJECTION	三角法



Customer approval :



REV	REVISION RECORD	DATE	MODEL NO.	CHECKED BY	DRAWING BY	GENERAL TOL:
A	FIRST ISSUE	2017/08/08	SY06448A00-3C135WN2-WCE	检查	绘图	未注公差
B			模组型号	审核	Liu	±0.3
C			APPROVED BY	Francis	Luoxian	PAGE: 2 OF 2
D			2017/08/08	2017/08/08	2017/08/08	PROJECTION 三角法



深圳市三元晶科技有限公司
Shenzhen TCCLCD Hi-Tech Co., Ltd.

