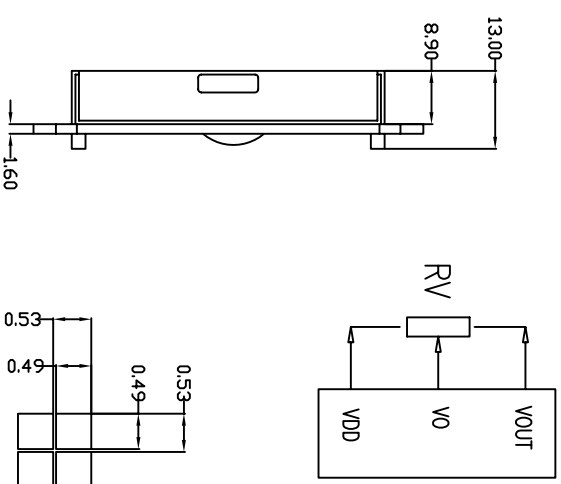
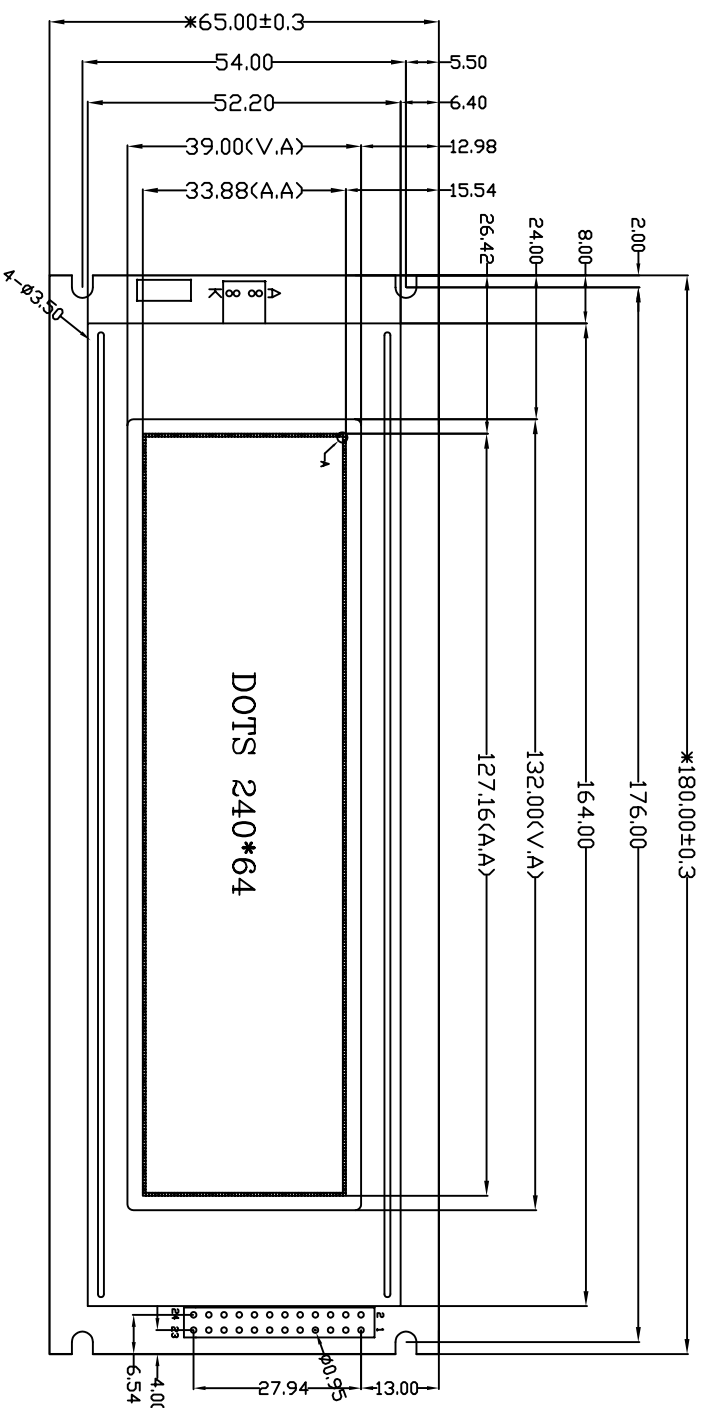


Customer approval :




Specification:

- 1). Driving: Dots:240*64, Duty:1/16, Bias:1/5,VDD:5.0V,VOUT:-14.08V,V0:-7.8V
- 2). Viewing Direction: 6 O'clock
- 3). Display mode:STN/Positive/Transflective/YG
- 4). Operating temp.: -20°C~+70°C
Storage temp.: -30°C~+80°C
- 5). Controller IC:RA8822
- 6). Backlight: White
- 7). Dimensions with mark "*" are important, with mark "()" are referenced
- 8). All the raw materials are RoHS compliant

PIN	1	2	3	4	5	6	7	8	9	10	11	12
CONNECTION	FG	GND	VDD	VO	WR	RD	CS	RS	NC	RES	DB0	DB1
PIN	13	14	15	16	17	18	19	20	21	22	23	24
CONNECTION	DB2	DB3	DB4	DB5	DB6	DB7	NC	VOUT	INT	BUSY	BLA	BLK

REVISION RECORD

REV	REV	REVISION
A0	First issue	

		深圳市三元晶科技有限公司 ShenZhen TCC LCD Hi-Tech Co., Ltd.	
DRAWING NO.	SYM24064BZKV11	DRAWING BY	LAN
APPROVED BY		CHECKED BY	2010/03/24
GENERAL TOL:	±0.3	UNIT:	mm
PAGE	1/1		