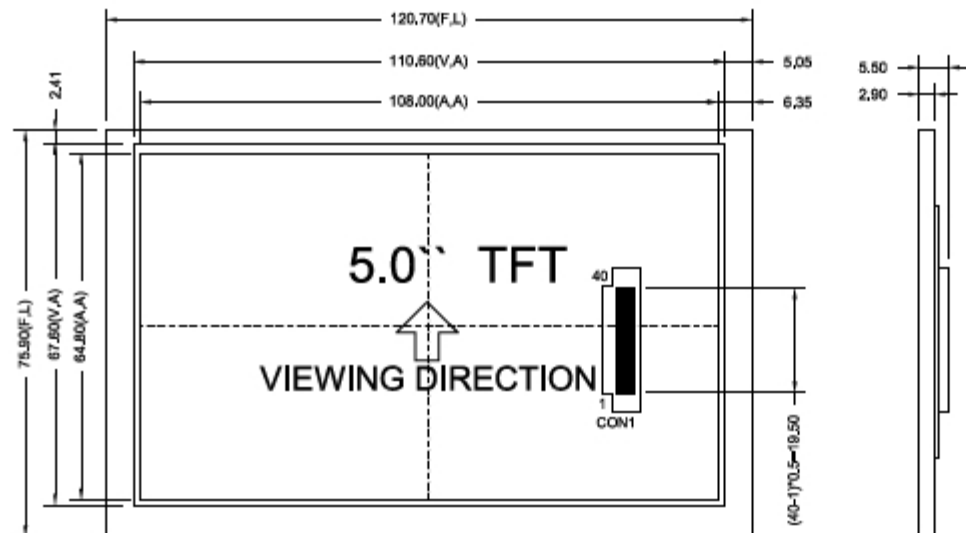


Customer approval :


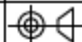


Pin	CON1
1	VSS
2	VSS
3	VDD
4	VDD
5	AWR
6	IRD
7	ACS
8	RS
9	IRST
10	DB0
11	DB1
12	DB2
13	DB3
14	DB4
15	DB5
16	DB6
17	DB7
18	DB8
19	DB9
20	DB10
21	DB11
22	DB12
23	DB13
24	DB14
25	DB15
26	NC
27	NC
28	NC
29	NC
30	NC
31	NC
32	NC
33	NC
34	NC
35	TP_PCK
36	TP_CS
37	TP_MOSI
38	TP_MISO
39	TP_SCK
40	TP_RST

Specification:

- 1). Driving:TFT ,VDD:5V&3.3V
- 2). Viewing Direction:6 O'clock
- 3). Display mode:Normally White,Transmissive
- 4). Operating temp.: -20° C~+70° C
Storage temp.: -30° C~+80° C
- 5). Controller IC: SSD1963
- 6). Backlight: White
- 7). Dimensions with mark "*" are important,
with mark "()" are referenced
- 8). All the raw materials are RoHS compliant

TFT真彩色液晶屏显示控制器，内部集成有1215KB的帧缓冲器，支持864X480像素点的24位真彩色图片的显示。芯片支持不同总线宽度的微处理器并行接口用以接收来自微处理器的图片数据和命令。它与LCD显示器接口支持普通的无RAM的LCD的驱动，色彩深度达到每像素点24位。

REV	REVISION RECORD	DATE	 深圳市三元晶科技有限公司 ShenZhen TCCLCD HI-Tech Co., Ltd.				
A	FIRST ISSUE	2015/1/06	MODEL NO. 模组型号	SYC800480D050V1950	GENERAL TOL: 未注公差	± 0.3	
B			APPROVED BY 审核	CHECKED BY 检查	DRAWING BY 绘图	PAGE: 页面 1 OF 1	UNIT: 单位:mm
C			Liu 2015/1/06	Francis 2015/1/06	Luoxian 2015/1/06	PROJECTION 三角法	
D							